

EXC Touch Panel (dimming)



Manual
www.ltech-led.com

Product Features

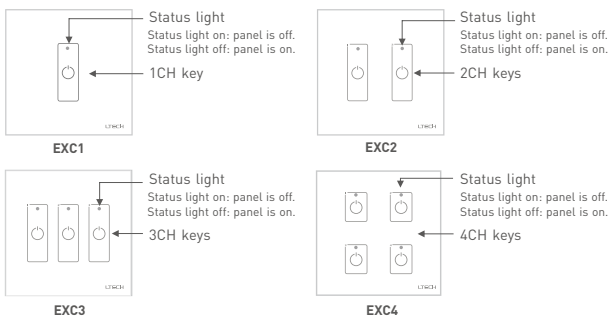
- Adopt 2.4GHz RF wireless transmission technology, which is applicable for license and patent free worldwide.
- Within effective range, unlimited receivers can be connected in the same zone.
- Each switch key works as a individual zone, workable with any matching zone of remotes.
- Support DMX512 signal output, can work as DMX master controller to control DMX fixture.
- Support multi panels coordinated control wirelessly, no quantity limited.
- Touch keys with chord and LED indicator.

Technical Specs

Model	EXC1	EXC2	EXC3	EXC4
Key Number	1	2	3	4
Input Voltage	100-240Vac			
Output Signal	RF 2.4GHz, DMX512			
Working Temp.	-20°C~55°C			
Dimensions	L86×W86×H37(mm)			
Package Size	L113×W112×H50(mm)			
Weight(G.W.)	225g			

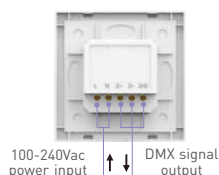


Touch Panel

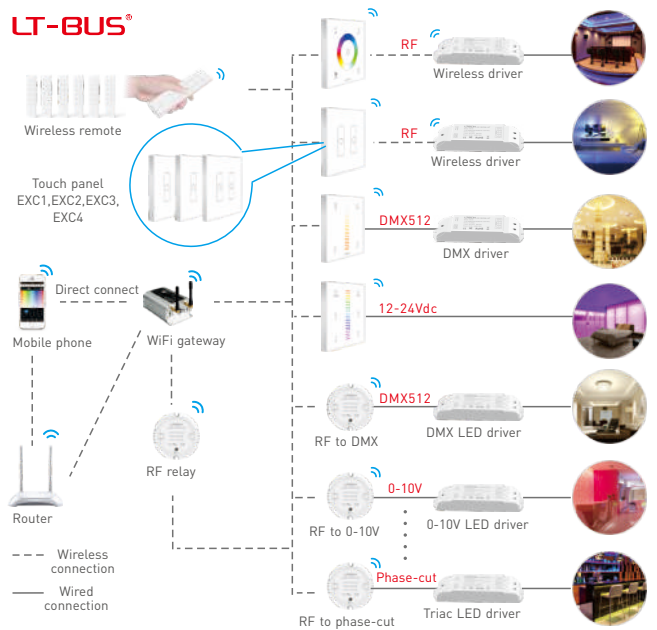


- * Short press to turn on/off lamps.
- * When status light is on, long press switch to turn on/off the buzzer.
- * When status light is off, long press switch to adjust brightness. Beep once and status light flicker twice when max. or min. brightness.

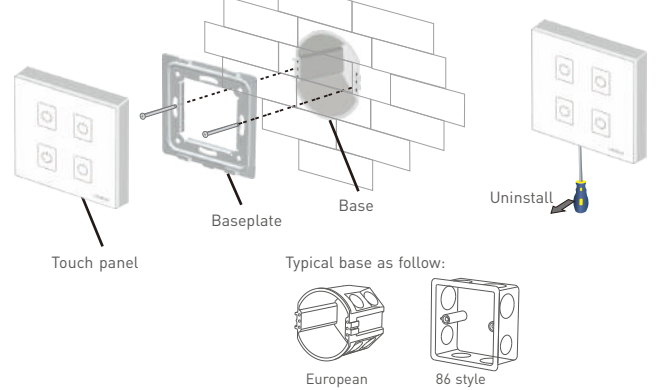
Terminals



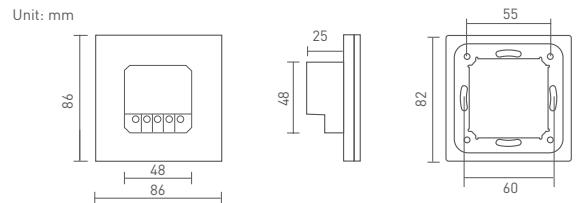
LT-BUS®



Installation Instruction

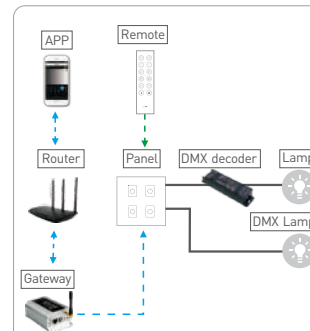


Product Size



Match Code Sequence

DMX System Wiring

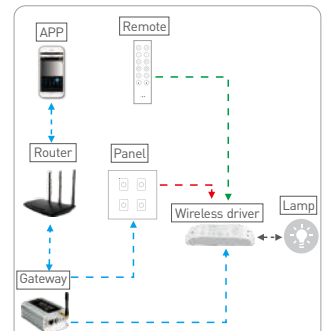


- * PS: No router needed when gateway work with phones directly.

Match Code Sequence

1. Configure gateway with panel, which enables the smart phone to control DMX device via gateway.
2. Configure remote with panel, which enables remote to control DMX device.

Wireless System Wiring



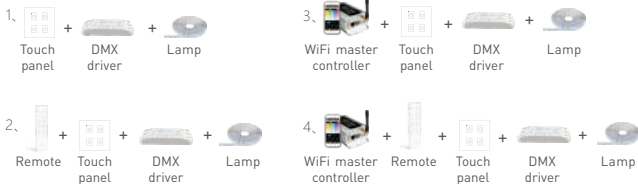
- * PS: No router needed when gateway work with phones directly.

Match Code Sequence

1. Wireless driver & gateway.
2. Panel & gateway.
3. Remote & panel, remote & wireless driver.

Application Composition

DMX512 control

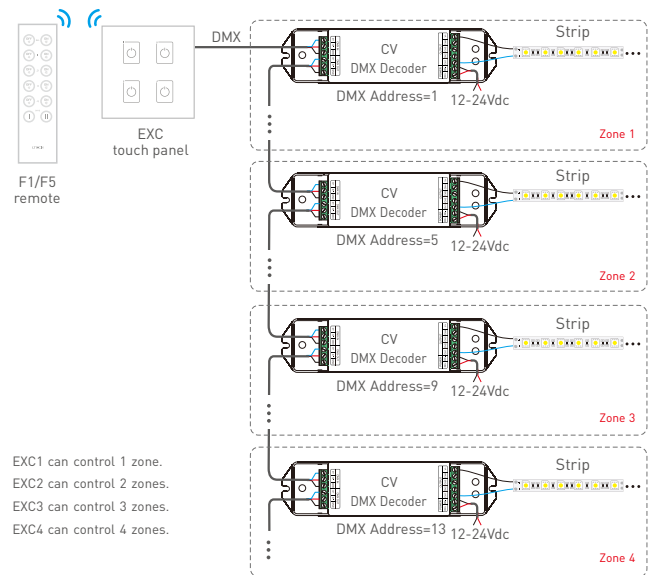


Wireless control



6

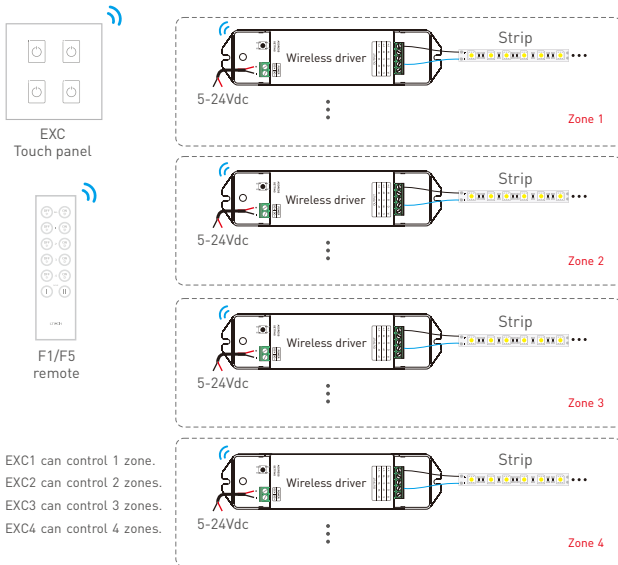
DMX Wiring



EXC1 can control 1 zone.
EXC2 can control 2 zones.
EXC3 can control 3 zones.
EXC4 can control 4 zones.

7

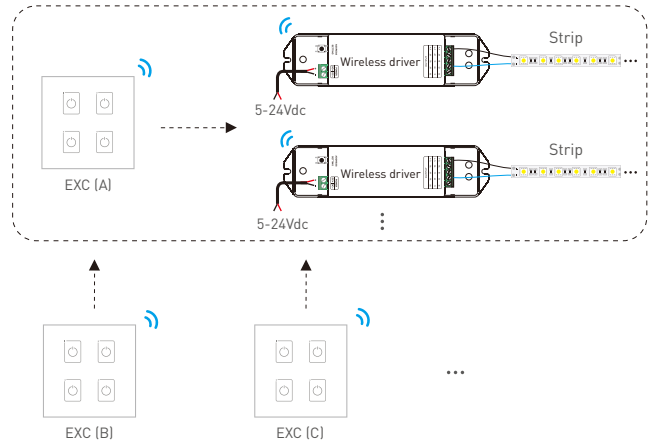
RF Wireless Wiring



EXC1 can control 1 zone.
EXC2 can control 2 zones.
EXC3 can control 3 zones.
EXC4 can control 4 zones.

8

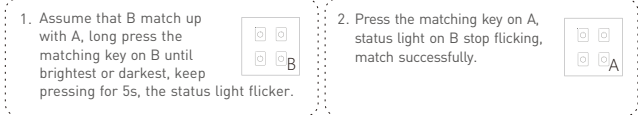
Coordinated Control Wiring



- * After touch panel A realizes controlling the lamps, if B and C are matched up with A, they can also control the lamps.
- * Connecting touch panel with DMX decoders can also realize coordinated control function.
- * EXC series can work with EX series touch panel, realizing switch and dimming function.

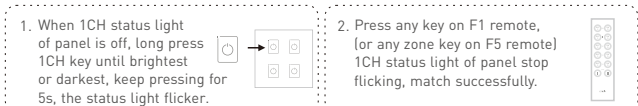
9

Match Code between Touch Panels



Match Code between Touch Panel & Remote

Assume that 1CH key match up with remote.



Match Code between Touch Panel & Gateway

Assume that 1CH key match up with remote.



* Please match / clear code when panel's status light is off.

10

Match Code between Touch Panel & Wireless Driver

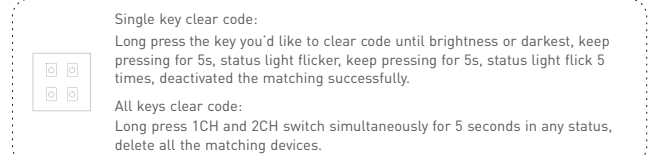
Method 1:



Method 2:



Clear Code



* Please match / clear code when panel's status light is off.

11